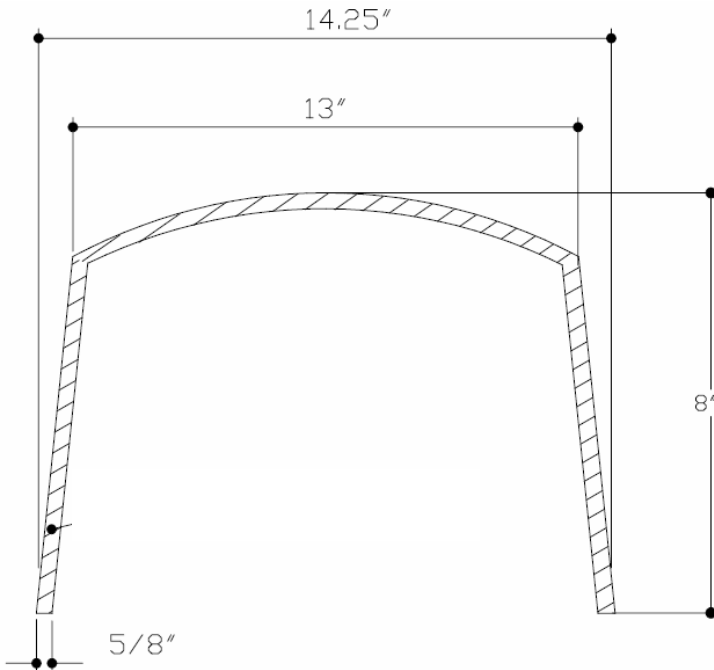
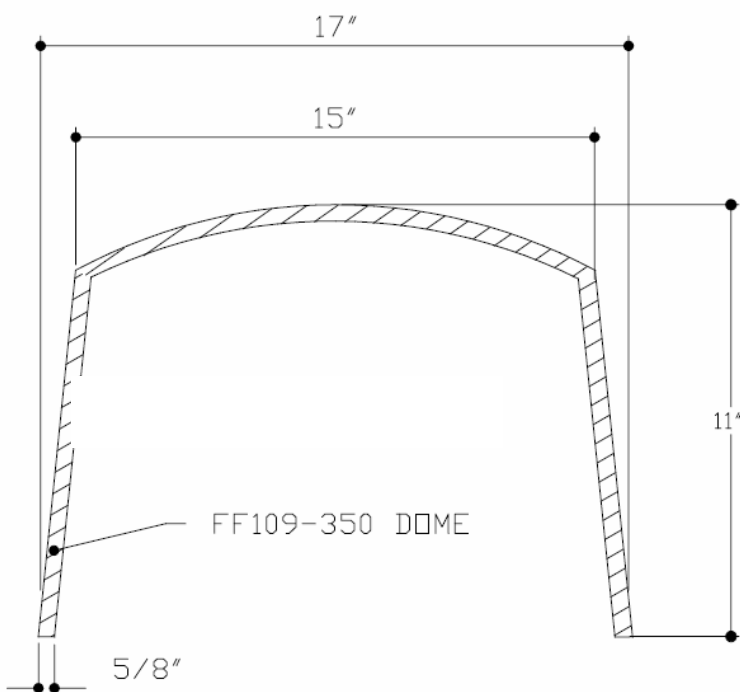


## MODEL FF109-FRSC



## MODEL FF109-FRSC<sup>XL</sup>

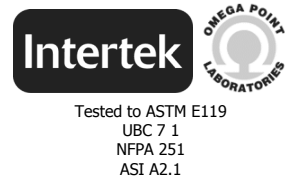


Model Number	Inside Height	Outside Diameter
FF109-FRSC	7 3/8"	14 1/4"
FF109-FRSC <sup>XL</sup>	10 3/8"	17"

### Performance Data

#### For Use:

- Intertek/OPL certified to maintain the fire rating (1 hour) of fire-rated floor/ceiling assemblies.
- Suitable for a wide range of in-ceiling loudspeakers.



### General Information

#### Benefits:

- 60 minute protection.
- Enhances the acoustic protection of the ceiling.
- Can be used in floor/ceiling assemblies.
- Lightweight (approx. 1.5 lbs and 2.5 lbs).
- Easy Installation - can be fitted in seconds - no screws, drilling or additional sealant required.
- Flexible material enables the cover to be fitted around obstacles or retro-fitted.
- Reduces heat loss through the fixture.
- Significant energy cost savings.
- Maintenance free.

### Manufactured By

#### Tenmat Inc

23 Copper Drive  
 Newport, DE 19804  
 Phone: (302) 633-6600  
 Fax: (302) 633-6838  
 Email: [info@tenmatusa.com](mailto:info@tenmatusa.com)  
[www.tenmatusa.com](http://www.tenmatusa.com)